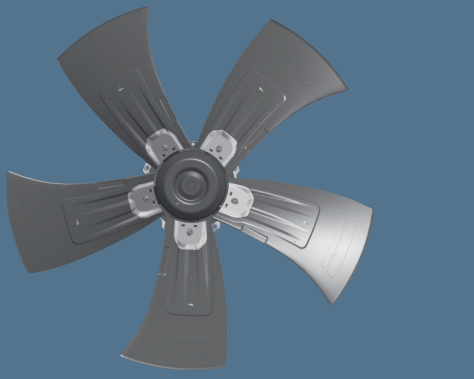


EC axial fans - HyBlade®

Ø 990



- **Material:** Guard grille: Steel, phosphated and coated in black plastic
Wall ring: Sheet steel, pre-galvanised and coated in black plastic
Blades: Insertion part made of sheet aluminium, extrusion-coated in PP plastics
Rotor: Coated in black
Electronics enclosure: Die-cast aluminium, coated in black
- **Number of blades:** 5
- **Direction of rotation:** clockwise, seen on rotor
- **Type of protection:** IP 54 (acc. to EN 60529)
- **Insulation class:** "F"
- **Mounting position:** Shaft horizontal or rotor on bottom; rotor on top on request
- **Condensate discharges:** Rotor-side
- **Mode of operation:** Continuous operation (S1)
- **Bearings:** Maintenance-free ball bearings

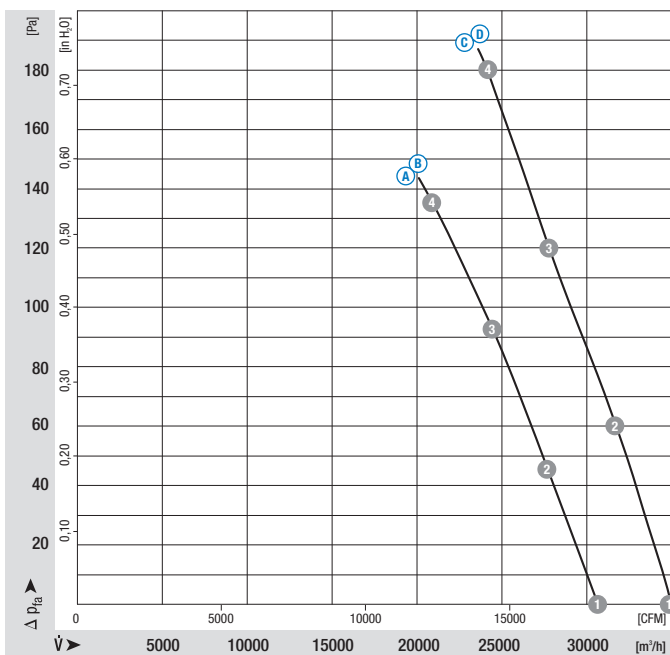
Nominal data

Type	Motor	Blade angle	Curve	Nominal voltage range	Frequency	Speed/rpm ⁽¹⁾	Max. power input ⁽¹⁾	Max. current draw ⁽¹⁾	Max. operative range	Perm. amb. temp.	Mass without attachments	Technical features and elect. connections
				VAC	Hz	rpm	kW	A	Pa	°C	kg	
*3G 990	M3G 150-IF	-5°	(A)	3~ 200-240	50/60	820	1,64	5,00	135	-25..+60	25,7	p. 38 / L5)
*3G 990	M3G 150-IF	-5°	(B)	3~ 380-480	50/60	820	1,64	2,50	135	-25..+60	25,7	p. 38 / L5)
*3G 990	M3G 150-NA	-5°	(C)	3~ 200-240	50/60	960	2,58	8,00	180	-25..+65	31,2	p. 38 / L5)
*3G 990	M3G 150-NA	-5°	(D)	3~ 380-480	50/60	960	2,58	4,00	180	-25..+70	31,2	p. 38 / L5)

subject to alterations

(1) Nominal data in operating point with maximum load and 400 VAC

Curves



Air performance measured as per: ISO 5801, Installation category A, in ebm-papst full nozzle and without protection against accidental contact

Suction-side noise levels: L_{wA} as per ISO 13347, L_{pA} measured at 1 m distance to fan axis

The acoustic values given are only valid under the measurement conditions listed and may vary depending on the installation situation.

With any deviation to the standard setup, the specific values have to be checked and reviewed once installed or fitted!

For detailed information see page 40 ff.

	n [rpm]	P ₁ [kW]	I [A]	L _{wA} [dB(A)]
(A) 1	820	0,98	2,98	80
(A) 2	820	1,22	3,70	78
(A) 3	820	1,46	4,46	78
(A) 4	820	1,64	5,00	79
(B) 1	820	0,98	1,49	80
(B) 2	820	1,22	1,85	78
(B) 3	820	1,46	2,23	78
(B) 4	820	1,64	2,50	79
(C) 1	960	1,49	4,54	85
(C) 2	960	1,90	5,76	83
(C) 3	960	2,26	6,86	84
(C) 4	960	2,58	8,00	85
(D) 1	960	1,49	2,27	85
(D) 2	960	1,90	2,88	83
(D) 3	960	2,26	3,43	84
(D) 4	960	2,58	4,00	85

- **Technical features:** See electrical connections p. 38
- **EMC:** Interference emission acc. to EN 61000-6-3
Interference immunity acc. to EN 61000-6-2
Harmonics acc. to EN 61000-3-2/3
- **Leakage current:** < 3.5 mA acc. to EN 61800-5-1
- **Terminal box:** Electrical connection via terminal strip
- **Protection class:** I (acc. to EN 61800-5-1)
- **Product conforming to standards:** CE
- **Approvals:** Ⓐ Ⓒ GOST; UL/CSA are applied for; CCC on request
Ⓑ Ⓓ GOST, UL/CSA; CCC on request

Direction of air flow			
	Without attachments	With full square nozzle	With guard grille for full nozzle
"V"	on request	W3G 990-GY32 -11	on request
"V"	A3G 990-AY28 -01	W3G 990-GY28 -01	S3G 990-BY28 -01
"V"	on request	W3G 990-GZ09 -11	on request
"V"	A3G 990-AZ02 -01	W3G 990-GZ02 -01	S3G 990-BZ02 -01

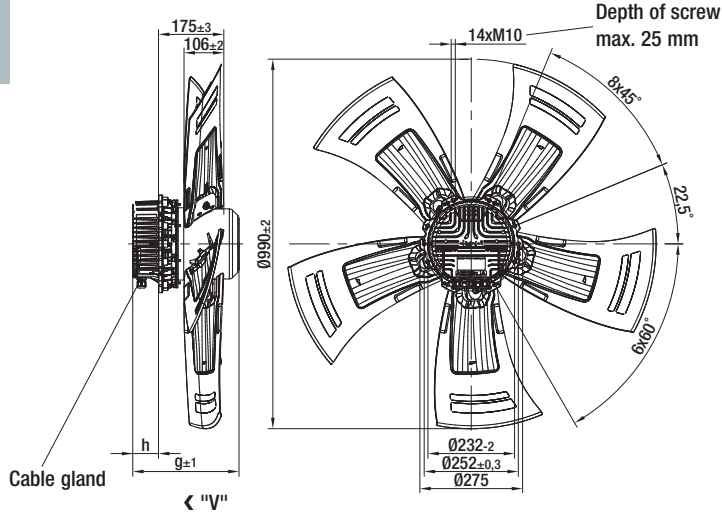
Direction of air flow "A" on request

EC axial fans - HyBlade®

Ø 990 with motor M3G150, drawings for direction of air flow "V"



Without attachments



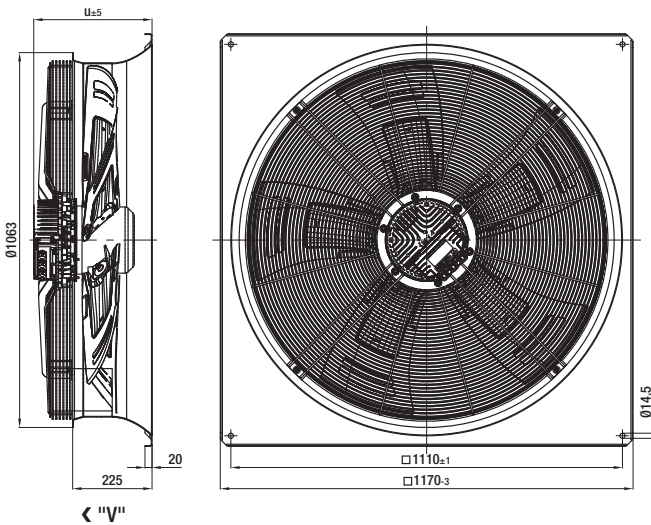
Type

Mass

		[kg]	g	h
A	on request	25,7	238,0	57,5
B	A3G 990-AY28 -01	25,7	238,0	57,5
C	on request	31,2	289,5	70,0
D	A3G 990-AZ02 -01	31,2	289,5	70,0

Internal diameter of the wall ring at least 1000 mm

With full square nozzle

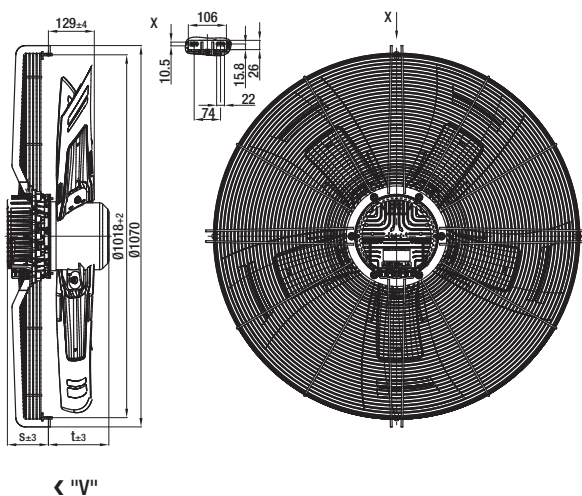


Type

Mass

		[kg]	u
A	W3G 990-GY32 -11	55,9	323,5
B	W3G 990-GY28 -01	55,9	323,5
C	W3G 990-GZ09 -11	61,4	336,0
D	W3G 990-GZ02 -01	61,4	336,0

With guard grille for full nozzle



Type

Mass

		[kg]	s	t
A	on request	35,7	103,5	134,5
B	S3G 990-BY28 -01	35,7	103,5	134,5
C	on request	41,2	116,0	173,5
D	S3G 990-BZ02 -01	41,2	116,0	173,5

Internal diameter of the wall ring at least 1000 mm