

# EC centrifugal fans and modules

backward curved, Ø 355



- **Material:** Support bracket: Steel, coated in black  
Support plate: Galvanised sheet steel  
Impeller: Sheet aluminium, laser-welded  
Rotor: Coated in black  
Electronics enclosure: Die-cast aluminium
- **Number of blades:** 7
- **Direction of rotation:** Clockwise, seen on rotor
- **Type of protection:** IP 54 (acc. to EN 60529)
- **Insulation class:** "F"
- **Mounting position:** Shaft horizontal or rotor on bottom; rotor on top on request
- **Condensate discharges:** Rotor-side
- **Mode of operation:** Continuous operation (S1)
- **Bearings:** Maintenance-free ball bearings

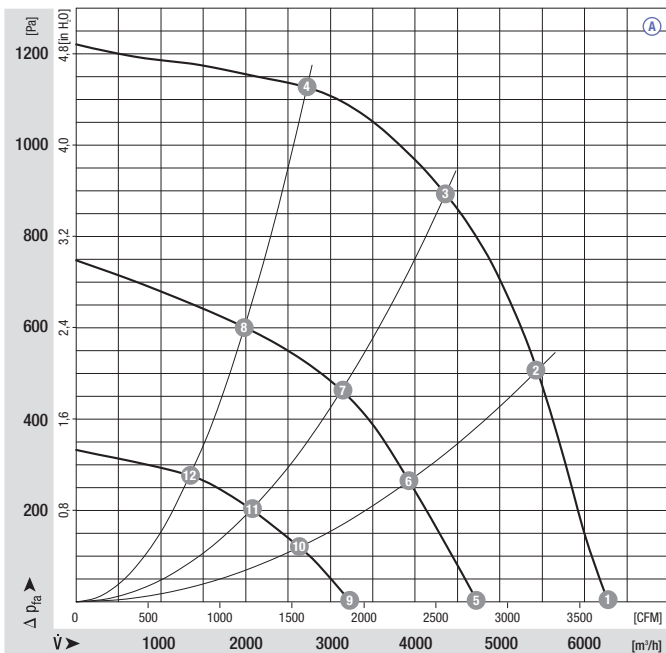
## Nominal data

Type	Motor	Curve	Nominal voltage range VAC	Frequency Hz	Speed/rpm <sup>(1)</sup> rpm	Max. power input <sup>(1)</sup> W	Max. current draw <sup>(1)</sup> A	Perm. amb. temp. °C	Electr. connection p. 46
*3G 355	M3G 112-GA	Ⓐ	3~ 380-480	50/60	2600	1700	2,60	-25..+45	L5)

subject to alterations

(1) Nominal data in operating point with maximum load and 400 VAC

## Curves

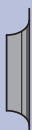


	n [rpm]	P <sub>1</sub> [W]	I [A]	L <sub>wA</sub> [dB(A)]
Ⓐ 1	2600	1140	1,74	92
Ⓐ 2	2600	1510	2,30	83
Ⓐ 3	2600	1700	2,60	79
Ⓐ 4	2600	1594	2,42	83
Ⓐ 5	1940	436	0,73	84
Ⓐ 6	1910	541	0,88	76
Ⓐ 7	1885	533	0,95	73
Ⓐ 8	1905	558	0,91	76
Ⓐ 9	1330	194	0,40	76
Ⓐ 10	1315	226	0,45	70
Ⓐ 11	1305	239	0,47	66
Ⓐ 12	1305	236	0,46	66

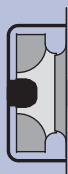
- **Technical features:**
    - PFC (passive)
    - Integrated PID controller
    - Control input 0-10 VDC / PWM
    - Input for sensor 0-10 V or 4-20 mA
  - **EMC:** Interference emission acc. to EN 61000-6-3  
Interference immunity acc. to EN 61000-6-2  
Harmonics acc. to DIN EN 61000-3-2/3
  - **Leakage current:** < 3.5 mA acc. to EN 61800-5-1
  - **Connection leads:** Via terminal strip
  - **Protection class:** I (acc. to EN 61800-5-1)
  - **Product conforming to standard:** CE
  - **Approvals:** VDE, UL, CSA, CCC, GOST are applied for
- Slave output 0-10 V max. 3 mA
  - Output 20 VDC ( $\pm 20\%$ ) max. 50 mA
  - Output 10 VDC ( $+10\%$ ) max. 10 mA
  - RS485 MODBUS
  - Motor current limitation, Alarm relay
- Line undervoltage / phase failure detection
  - Electronics / motor overtemperature protection
  - Locked-rotor protection, Soft start
  - Digital inputs for day/night switch, enabling, cooling / heating



Mass of centrifugal fan



Inlet nozzle with one pressure tap



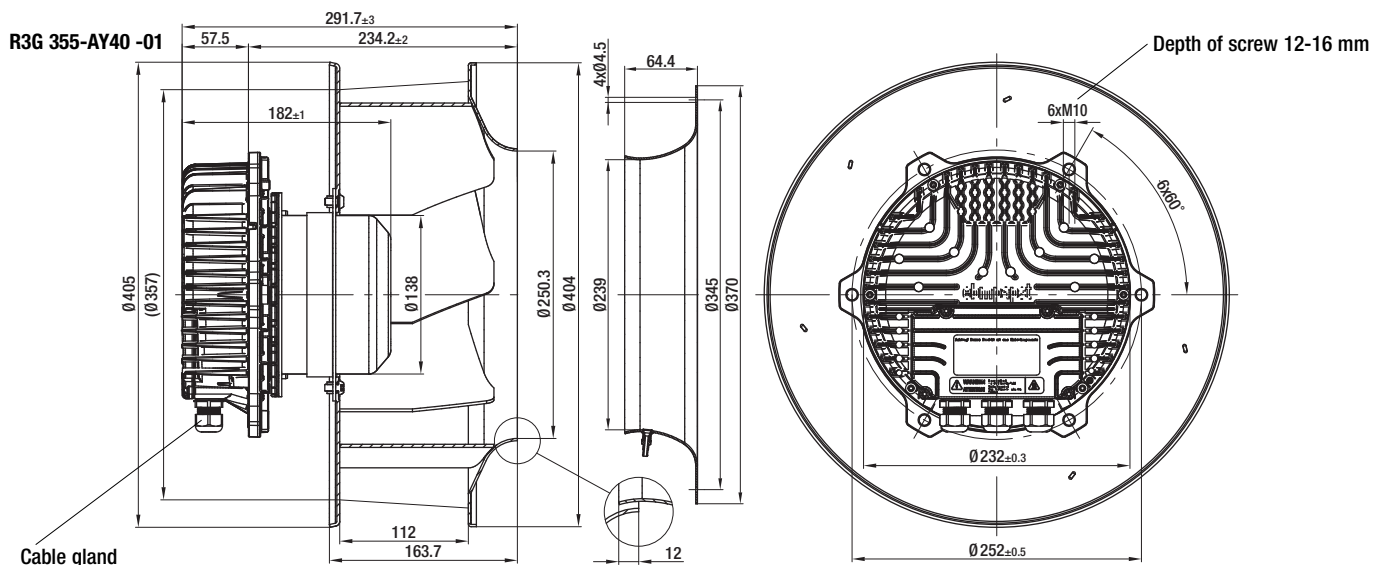
Mass of centrifugal module with support bracket



Mass of centrifugal module with support bracket

Centrifugal fan	kg	Inlet nozzle with one pressure tap	Centrifugal module w. support bracket	kg	Centrifugal module w. support bracket <sup>(2)</sup>	kg
R3G 355-AY40 -01	13,0	35675-2-4013	K3G 355-AY40 -02	23,0	K3G 355-AY40 -32	23,0

(2) Centrifugal module with higher protection against corrosion



**K3G 355-AY40 -02 / -32**

