

EC centrifugal fans / Modules

backward curved, with integrated electronics, Ø 310



- **Material:** stator and electronics housing made of die-cast aluminium, rotor made of sheet steel (enamelled in black), impeller made of sheet aluminium, galvanised sheet metal parts
- **Technical features:** control input 0-10 VDC / PWM, RS485 ebmBUS, alarm relay, integrated PID control, voltage supply for sensor, input for sensor 0-10 V respectively 4-20 mA, 0-10 V output for slave, PFC (passive), soft start, line undervoltage detection, phase failure detection, motor current limitation, over-temperature protected electronics and motor, locked-rotor protection
- **Type of protection:** IP 54 according to DIN VDE 0470, part 1 (EN 60 529) category 2
- **Approvals:** UL, CSA, VDE, CE, CCC and GOST are applied for
- **Mounting position:** at will

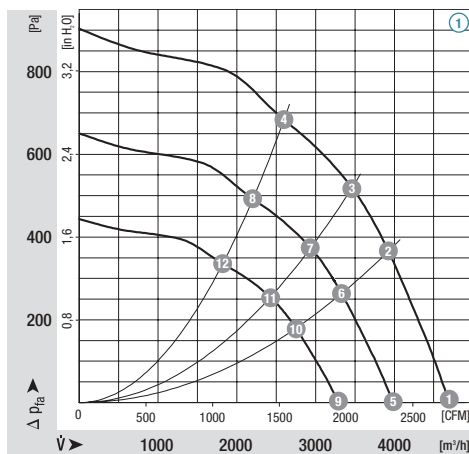
ebm-papst • Muldingen

Nominal data		Characteristic	Voltage range	Frequency	Speed/rpm	Max. power input	Max. current draw	Perm. amb. temp.	Mass
Type	Motor	3~ VAC	Hz	min ⁻¹	W	A	°C	kg	
R3G 310-AV52 -01	M3G112-EA	①	380-480	50/60	2640	1000	1.9	-25..+50	8.9
K3G 310-AV52 -02	M3G112-EA	①	380-480	50/60	2640	1000	1.9	-25..+50	15.4
K3G 310-AV52 -01	M3G112-EA	①	380-480	50/60	2640	1000	1.9	-25..+50	15.9

subject to alterations

	n	P ₁	I	Lp _A	η _{HL}	n	P ₁	I	Lp _A	η _{HL}	
	[min ⁻¹]	[W]	[A]	[dBA]	[%]	[min ⁻¹]	[W]	[A]	[dBA]	[%]	
① ①	2640	771	1,5	81	---	① ⑨	1850	264	0,5	71	---
① ②	2640	935	1,7	79	49	① ⑩	1850	321	0,6	70	49
① ③	2640	994	1,8	76	60	① ⑪	1850	341	0,6	67	60
① ④	2640	994	1,8	75	59	① ⑫	1850	341	0,6	65	59
① ⑤	2240	473	0,9	77	---						
① ⑥	2240	574	1,1	74	49						
① ⑦	2240	611	1,1	72	60						
① ⑧	2240	611	1,1	70	59						

Characteristics



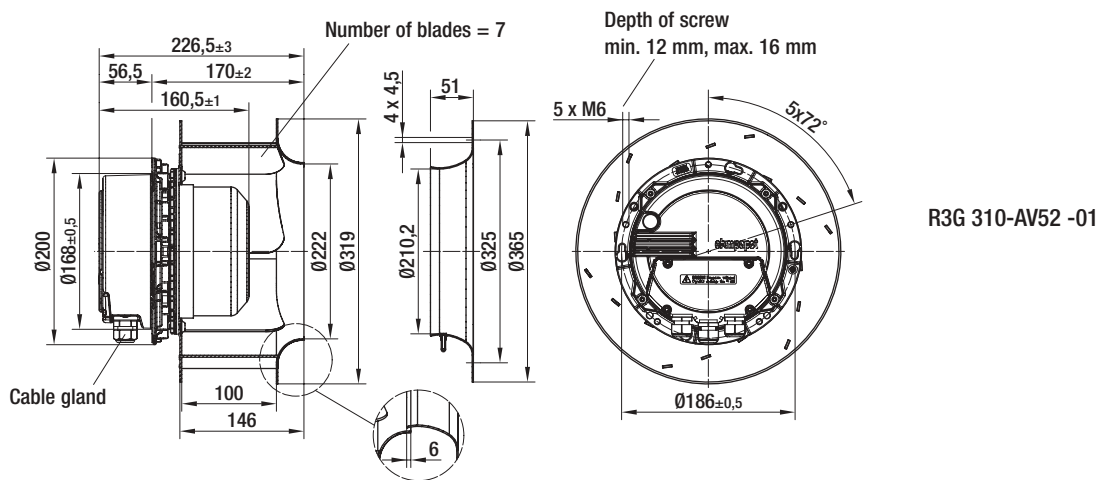
Electrical connection:



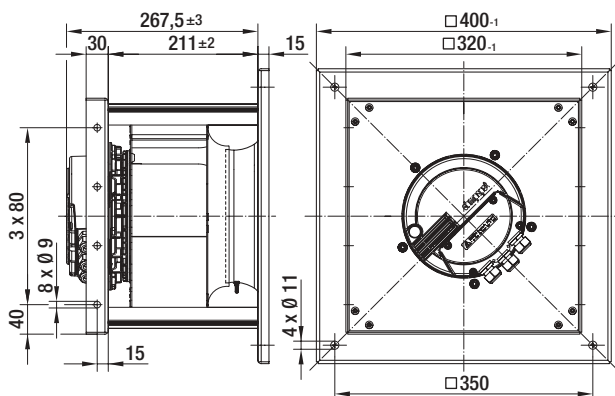
Connector	Signal	Pin No.	Assignment / function
PE	PE	---	Protective earth
KL1	L3, L2, L1	1, 2, 3	Mains; L3, L2, L1
KL2	NC	1	Alarm relay, normally closed
	COM	2	Alarm relay, COMMON
	NO	3	Alarm relay, normally open

Connector	Signal	Pin No.	Assignment / function
KL3	OUT	1	Master output 0-10 V max. 3 mA
	GND	2, 8	GND
	0-10 V / PWM	3, 7	Control / Actual value input
	+10 V	4	Supply for external potentiometer 10 mA
	+20 V	5	Supply for external sensor 50 mA
	4-20 mA	6	Control / Actual value input
	RS B	9, 11	RS485 interface for ebmBUS; RS B
	RS A	10, 12	RS485 interface for ebmBUS; RS A

Type	Inlet ring
R3G 310-AV52 -01	31060-2-4013 (with one pressure relief)
K3G 310-AV52 -02	integrated
K3G 310-AV52 -01	integrated



K3G 310-AV52 -01



K3G 310-AV52 -02

